

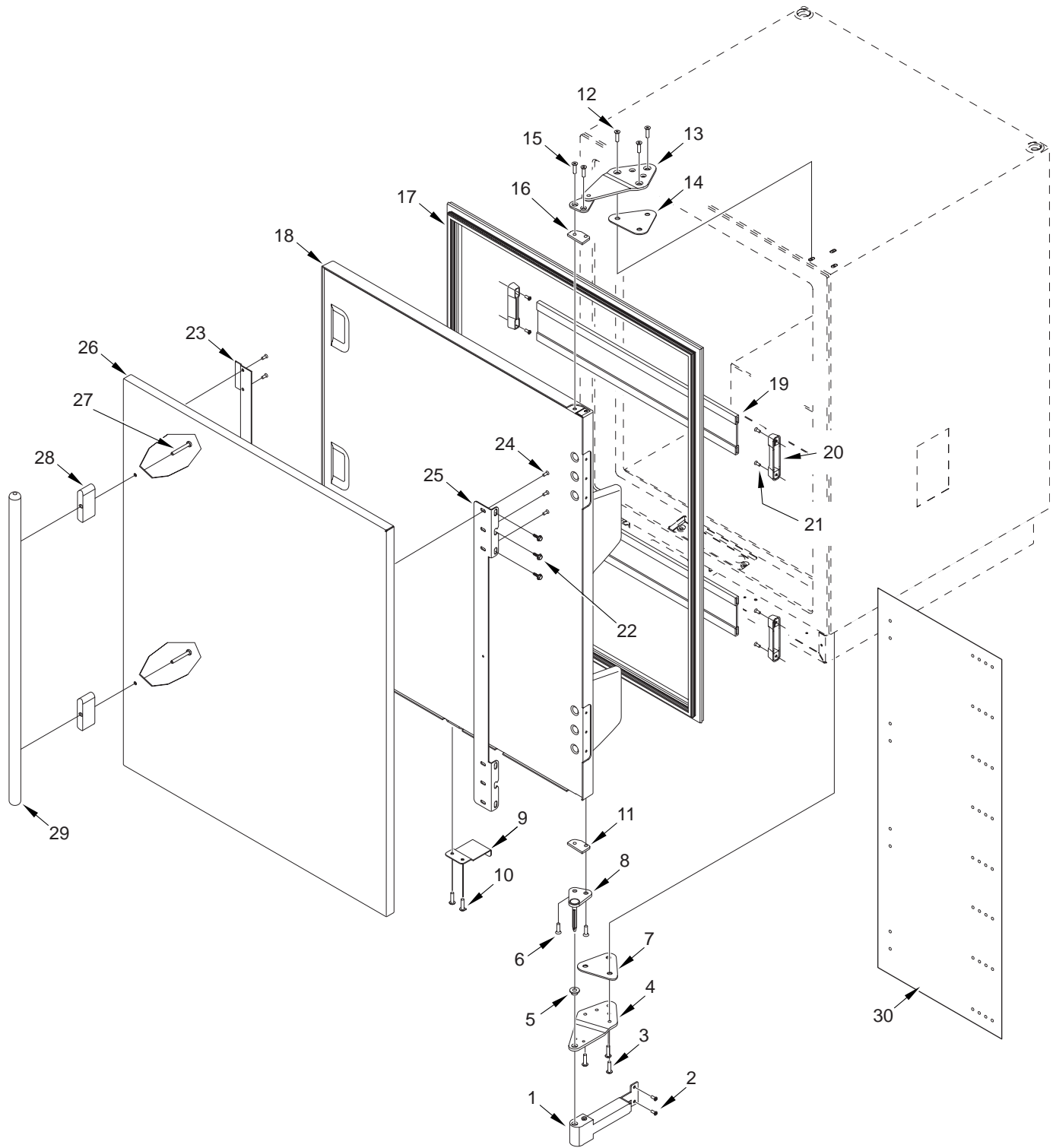


UC-24R DOOR VIEW PARTS LIST

<u>Ref #</u>	<u>Part #</u>	<u>Description</u>
1	3540810	Closer, Door 150Lb
2	6200780	Screw, #10-24 x 1/2" PH Hex Washer
3	6200780	Screw, #10-24 x 1/2" PH Hex Washer
4	3541111	Hinge, Cabinet Bottom- Black
5	NA	Part of Bottom Door Hinge Assembly (see Ref #8)
6	6110610	Screw, #10-24 x 3/4 FL Socket HD
7	7002351	Spacer, Hinge Bottom Svce
8	3541093	Hinge, Door Bottom - RH Black
	3541094	Hinge, Door Bottom - LH Black
9	7001959	Depressor, Switch Svce
10	6110020	Bolt, #10-24 x 3/8" Truss HD
11	7001899	Spacer, Hinge Svce (R Only)
12	6110540	Bolt, #10-24 x 1/2" Flat Socket HD (Silver)
13	3541121	Hinge, Cabinet Top Assy Black
14	7002350	Spacer, Hinge Top Svce
15	6110610	Screw, #10-24 x 3/4 FL Socket HD
16	7001899	Spacer, Hinge Svce (R Only)
17	7002000	Gasket, Door Svce
18	7002651	Door Assy, RH Svce
	7002652	Door Assy, LH Svce
		NOTE: Door Assemblies Include Gasket, Shelves and Switch Depressor; Do not include Hinges
19	7001896	Retainer, Shelf svce
20	7001895	Clip, Retainer Svce
21	6201260	Screw, #6 X 3/8" PH FT Head
22	6201500	#10X3/4 Drill PH Hex Wash
23	7001897	Bracket, Panel Svce (Handle Side)
24	6200720	#8-18 x 1/2 PH Truss HD
25	7001898	Bracket, Panel Svce (Hinge Side)
26	7001381	Kit, Panel U/C (Sales Accessory)
27	6110640	Bolt,#10-24 X 1-1/2 RD HD (Part of SA #7001381)
28	3512190	Standoff, SS Oval (Part of SA #7001381)
29	3512030	Handle, Door SS 3/4X24.188 (Part of SA #7001381)
30	7004419	Template, Drilling Svce (For Overlay Door Panels)



UC-24R DOOR VIEW



**UC-24R COSMETIC VIEW PARTS LIST**

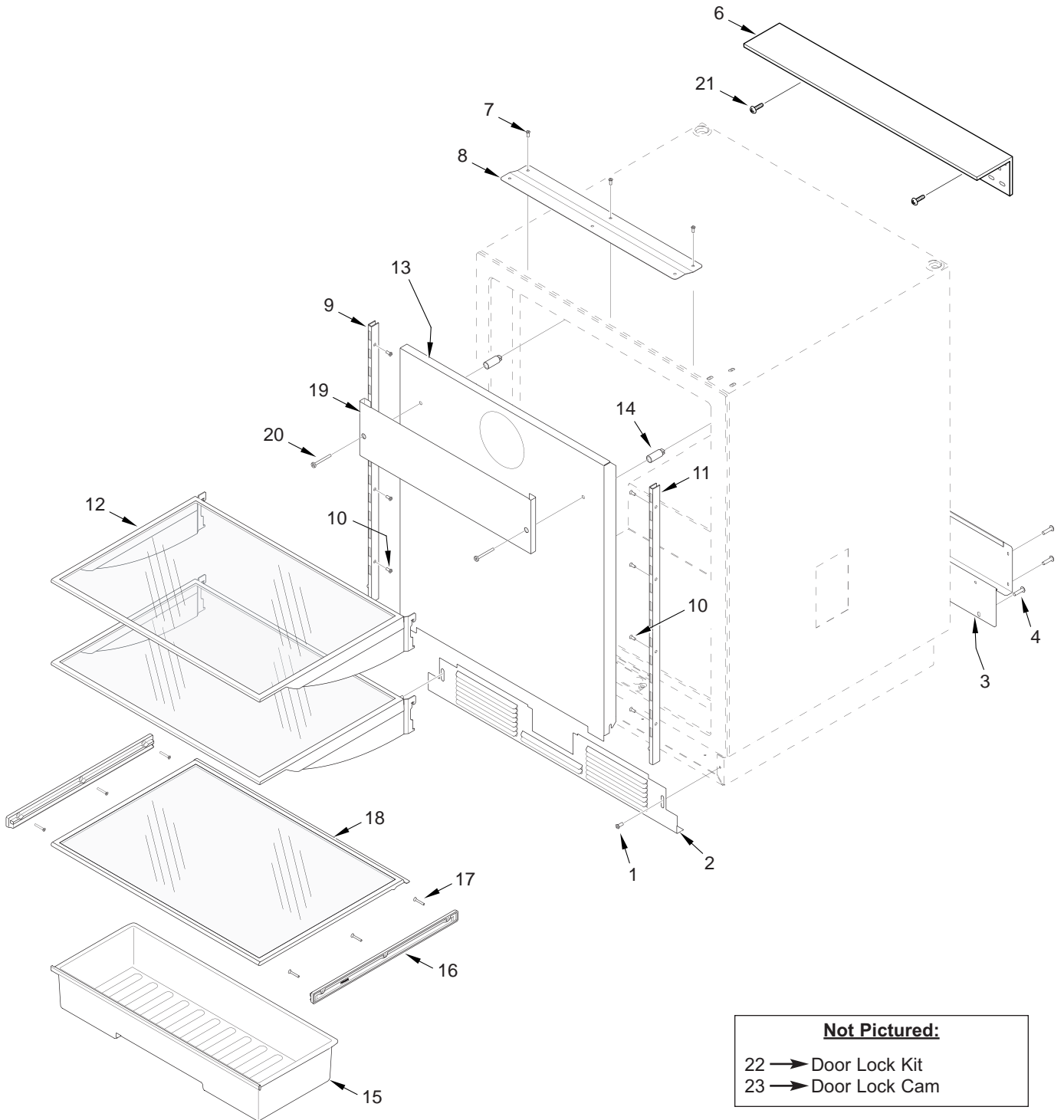
<u>Ref #</u>	<u>Part #</u>	<u>Description</u>
1	6200050	Screw, #10-12 x 1/2" Pan HD
2	7002354	Kickplate, Black Svce
	7004423	Kickplate, UC, For Lock, Svce (Black Kickplate for UCLOCK Kit)
	7004424	Kickplate, UC SS For Lock, Svce (Silver Kickplate for UCLOCK Kit)
3	7002139	Cover, Unit Svce (R Only)
4	6201270	Screw, #8-18 x 5/8" PH PN SS-Gnd
5	NA	
6	0168810	Anti Tip Bracket - 23-7/8"
7	6200780	Screw, #10-24 x 1/2" PH Hex Washer
8	3421980	Bracket, Ref to Countertop
9	7001874	Shelf Ladder, LH Svce
10	6200710	Screw, #8-18 X 1/2 PH SS Type AB
11	7001875	Shelf Ladder, RH Svce
12	7001876	Shelf, Cantilever Svce
13	7002178	Cover, Evap Svce
14	7001108	Standoff, 7/8"
15	7001893	Bin, Svce
16	7001890	Slide, Bin Svce
17	6201230	Screw, #8 x 7/8" A#7 PH FT Head
18	7001878	Floor, Glass Svce
19	7002355	Shroud, Fan Svce
20	6201010	Screw, #8-15 x 2" Pan Head
21	4260720	Kit, Install Hardware

Not Pictured:

22	7001575	Kit, Lock (UCLOCK Kit, Includes Lock Components & Kickplates)
23	7004425	Cam, Lock Svce (Part of UCLOCK Kit)



UC-24R COSMETIC VIEW





UC-24R MECHANICAL VIEW PARTS LIST

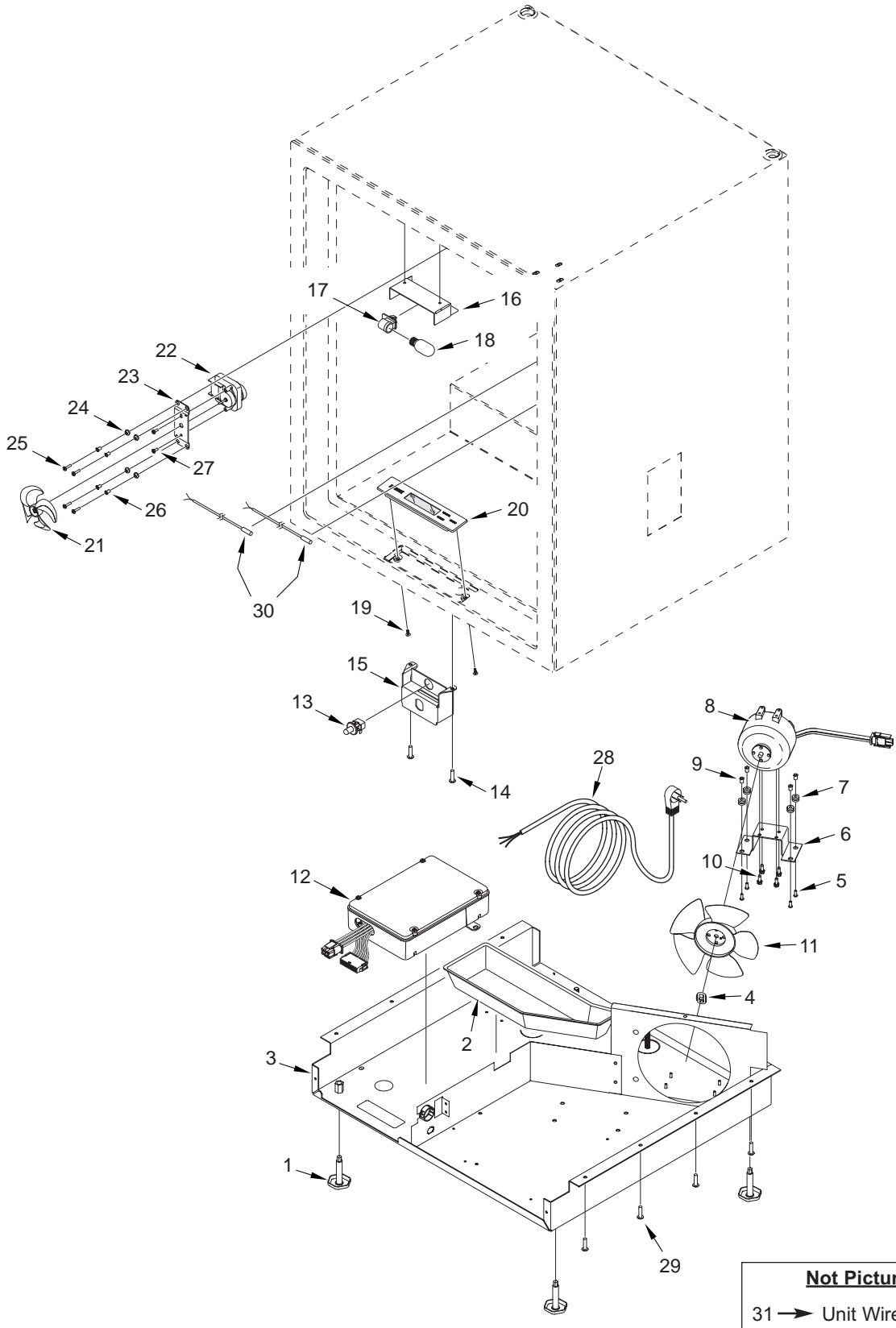
<u>Ref #</u>	<u>Part #</u>	<u>Description</u>	<u>Ref #</u>	<u>Part #</u>	<u>Description</u>
1	3570050	Leveling Leg, #18-3/8 x 1"	16	0212932	Bracket, Light SRVC-Base
2	7002138	Drain Pan, Svce	17	3050220	Socket, Light Int Base Sngl
3	7002679	Unit Tray Assy, Svce	18	3030060	Bulb, Light 25W 1X2-1/2
4	6150410	Nut, 1/4-20	19	6200860	Screw, #8 x 1/2" PH TRDH Hi-lo
5	6200610	Screw, #6-32 x 3/8" PH Rd Hd, Zinc	20	7002117	Display Assy, Ref Svce
6	0263131	Bracket, Condenser Srvc	21	3150640	Blade, Evap Fan
7	3220160	Grommet, 3/16" x 7/16" x 9/32"	22	4220801	Motor Assy, Evap Fan Srvc
8	3150930	Motor, Condenser 1 WATT	23	0212330	Bracket, Evap Fan Motor
9	6220290	Stand-Off, #6-32	24	3220250	Grommet, Rubber-M5351
10	6201580	Screw,#8-36 X 1/2 Nylon Patch	25	6201270	Screw, #8-18 x 5/8" PH PN SS-Gnd
11	3150940	Blade, Condenser Fan	26	3520120	Insert, Br ass 3/16X9/32
12	7002137	Control Assy, U/C Svce	27	6110270	Bolt, #10-32 x 1/4" RD HD
13	7004258	Switch, Light Black Svce	28	7002602	Cord, Power Svce
14	6110020	Bolt, #10-24 x 3/8" Truss HD	29	6110020	Bolt, #10-24 x 3/8" Truss HD
15	7002358	Bracket, Switch Svce	30	4204740	Therm Assy, Svce

Not Pictured:

31	7002235	W/H, Ref Svce
----	---------	---------------



UC-24R MECHANICAL VIEW



**UC-24R SEALED SYSTEM VIEW PARTS LIST**

<u>Ref #</u>	<u>Part #</u>	<u>Description</u>
1	7002177	Compressor, Svce (EMU45HSC) (Includes Electricals and Drier)
2	7000964	Electricals, Compressor, EMU45
	3112500	Capacitor, 12 Mf
	3112420	Term Cvr Spring, EGZ80
3	3014230	Filter-Drier, High Side
4	7002176	Condenser, Svce (Includes Drier)
5	3150010	Mount, Rubber #70456-1
6	6160030	Spacer, 5/16 x 7/16 x 5/8"
7	6240050	Washer, Flat 5/16"
8	6240090	Lock Washer, 5/16"
9	6150220	Nut, 5/16-18 Hex Zinc
10	3014100	Drier, Suct Line (Service Only)
11	3130640	Evaporator, Ref
	7002174	Evap Assy, Svce (Includes Heat Exchanger & Drier)
12	6201270	Screw, #8-18 x 5/8" PH PN SS-Gnd



UC-24R SEALED SYSTEM VIEW

